

3.0 Fuse Link Specifications:

The 1890BC1-25 with 26AWG Cable Input has a built in 26 gauge fuse link. If an overcurrent condition were to occur, the chassis will act as a fuse chamber, greatly reducing any threat to safety. Once fuse links have been fused, they cannot be rehabilitated or repaired.

The 1890BC1-25 with 24 AWG cable INPUT does not incorporate a fuse link. The incoming cable MUST be spliced with 26 AWG or smaller cable to provide a UL approved fuse link.

4.0 Installation Data:

The Terminal should be installed to the network's standard installation procedure. However, the following factors should be considered.

- 4.1 Use care when unpacking the Terminal from its shipping carton to avoid damage to the Terminal, modules, or connectors.
- 4.2 Install the Terminal as close to the incoming entrance cable as possible.
- 4.3 The Terminal can be mounted on any level, uniform vertical surface. Install the Terminal where it will be accessible to technicians at all times without the terminal obstructing individuals or equipment.
Note: Although the Terminal is designed to withstand extreme conditions, it is always best to avoid any unnecessary problems by observing the following important notes: When installing the Terminal, it is highly recommended that unit be placed in a non-combustible area. (The environment surrounding these devices should not contain flammable materials such as curtains, carpeting, etc.)
If the installation for the telco equipment is not in an assigned electrical room, it is advised to avoid areas with dust, moisture, extreme environmental conditions, heavy traffic areas requiring rolling machinery, pipes used to transport water, fuel, and gases.
- 4.4 Avoid exposing the Terminal to chemicals or cleaning liquids, which could damage various plastic components within the device.

5.0 Installation Procedures:

Mount the Terminal to a surface using the supplied mounting screws or approved network standards screws.

Outside Plant Termination (Incoming/ Cable Stub):

- 5.1 Terminals with an incoming cable stub should be terminated as follows: Splice the outside plants (incoming) stub to the entrance cable. Cable pairs can be matched to the Terminal module field as per Table 1. Note: The cable stub designed to swivel to the up or down direction.

5.2 Distribution Termination (Outgoing/Quick Clip Block):

To terminate the entrance cable pairs to the incoming quick-clip block the procedure is as follows: **Refer to figure 1** for quick-clip terminal arrangements. The entrance cable pairs should be routed through the fanning strip of the incoming portion of the quick-clip block. The pairs should then be jumpered to the quick-clip terminals, using an industry standard 714-termination tool.

Caution: Do not use a screwdriver for attaching line pairs to quick-clip terminals, as a screwdriver may spread the clip beams and result in a faulty connection.

6.0 Grounding:

The Terminal has two locations to attach a ground wire (located on the side or top face of the Terminal). A #6 AWG wire should be connected from one of the Terminal ground lugs to a local ground as per network standard methods. It should be noted that incorrect bonding, grounding or standards would result in terminal and protection module failure.

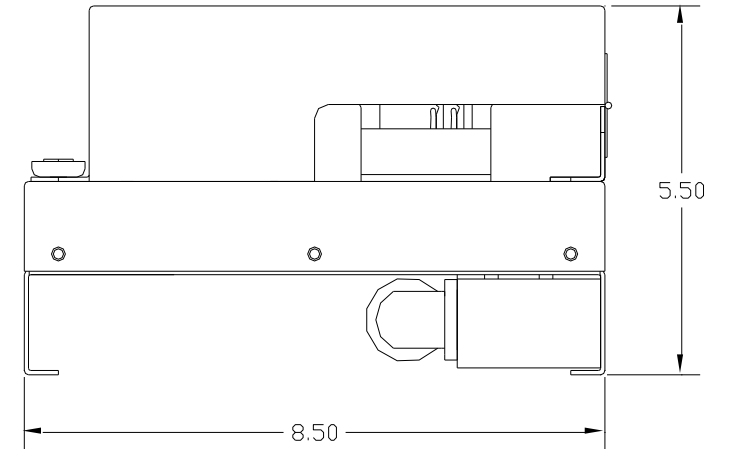
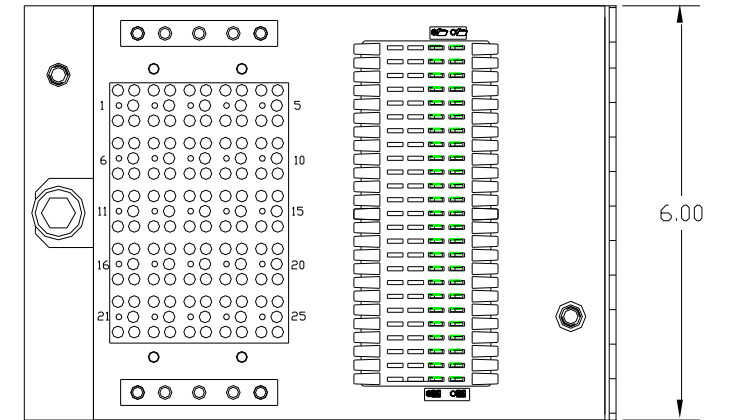
7.0 Terminal Module Installation:

If the Terminal is purchased with the terminal modules installed they will be inserted in the terminal panel in the detent position. A distinctive "notch" in the three long pins of the module indicates the detent position. This will connect the incoming tip / ring as well as grounding circuits of the module.

Note: When the module is in detent position it will protect only the incoming (outside plant) cable. The module must be fully inserted to provide protection to both the central office and customer premise side of the installation.

- 7.1 After all incoming and outgoing connections are completed; fully insert the terminal module until the base of the module meets the terminal block. This will connect the distribution termination (Outgoing/66) side of the unit to the outside plant (Incoming/Cable Stub) side of the unit.
- 7.2 Fully test all connections.

8.0 Terminal Diagrams:



1890BC1-25

Table 1

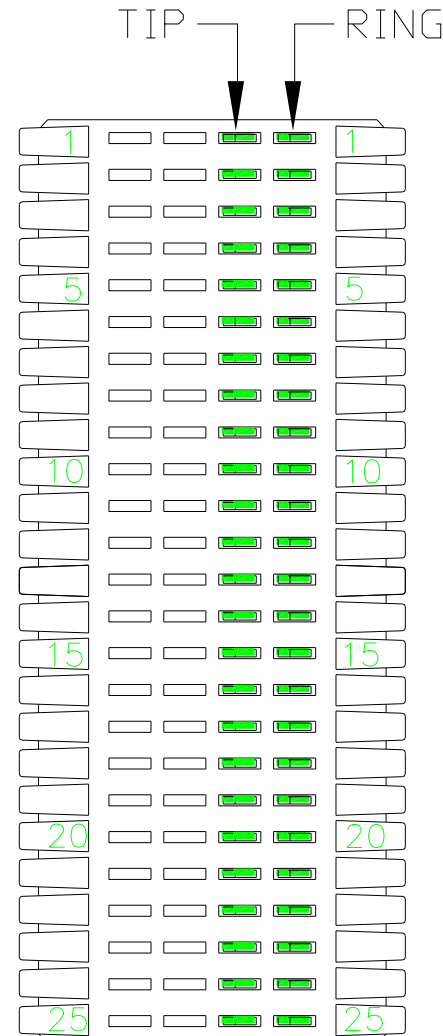
CABLE PAIR GROUP	BINDER GROUP	CABLE PAIR SUB-GROUP	TIP WIRE COLOR	RING WIRE COLOR (FOR EACH TIP WIRE COLOR)
1-25	BLUE	1-5 6-10 11-15 16-20 21-25	WHITE RED BLACK YELLOW VIOLET	1 ST WIRE - BLUE 2 ND WIRE - ORANGE 3 RD WIRE - GREEN 4 TH WIRE - BROWN 5 TH WIRE - SLATE

Important Note:

All statements, technical information and recommendations related to the Seller's products are based on information believed to be reliable, but the accuracy or completeness thereof is not guaranteed. Before utilizing the product, the user should determine the suitability of the product for its intended use. The user assumes all risks and liability whatsoever in connection with such use. Any statements or recommendations of the Seller, which are not contained in the Seller's current publications, shall have no force or effect unless contained in an agreement signed by an authorized officer of the Seller. The statements contained herein are made in lieu of all warranties, express or implied, including but not limited to the implied warranties of merchantability and fitness for a particular purpose which warranties are hereby expressly disclaimed.

Seller shall not be liable to the user or any person under any legal theory, including but not limited to negligence or strict liability, for any injury or any direct or consequential damages sustained or incurred by reason of the use of any of the Seller's product that were defective.

Figure 1



Terminal shall be installed to the applicable requirements of the: National Electrical Code, ANSI/NFPA 70(Article 800, Section C) Canadian Electrical Code, Part 1 (Section 60)

TM91-0017

REV.03

CAUTION: Risk of electric shock Terminal is not be used without the arrester assembly installed.



**1890BC1 SERIES
INSTALLATION
PROCEDURE
(FOR INDOOR USE ONLY)**



**Building Entrance
Terminal**
1890BC1-25 (24 AWG or 26 AWG INPUT)

CONTENTS:	PAGE
1.0 General	1
2.0 Terminal Module Specifications	1
3.0 Fuse Link Specifications	2
4.0 Installation Data	2
5.0 Installation Procedures	2-3
6.0 Grounding	3
7.0 Terminal Installation	3
8.0 Terminal Diagrams	4-5

1.0 General:

The 1890 Series Building Entrance Terminals are double cross – connect field, indoor protection units designed for terminating outside plant cables. The 1890 Series BET's are available in 25, 50, or 100 pair counts with a cable stub in / quick clip block out configuration.

1.1 Terminal Dimensions:

Model	Height	Width	Depth
1890BC1-25	6.0in	8.5in	5.0in

1.2 Cable Requirements:

This 1890BC1-25 with 26AWG INPUT BET is equipped with a 26 gauge fuse link; therefore it must only be spliced with 24 gauge or physically larger gauge C.O. feeder cable. This will ensure the highest operating conditions for the BET. The 1890BC1-25 with 24 AWG INPUT needs to be spliced with 26 AWG or small cable.

2.0 Terminal Module Specifications:

The Terminal will accept any five-pin module of Western Electric design.
To maintain UL Listing, only UL Listed Terminal modules are to be used.