



## 2100BN-6

6 PAIR - INDOOR BET - BIX/BIX - NO COVER

### Product Specifications

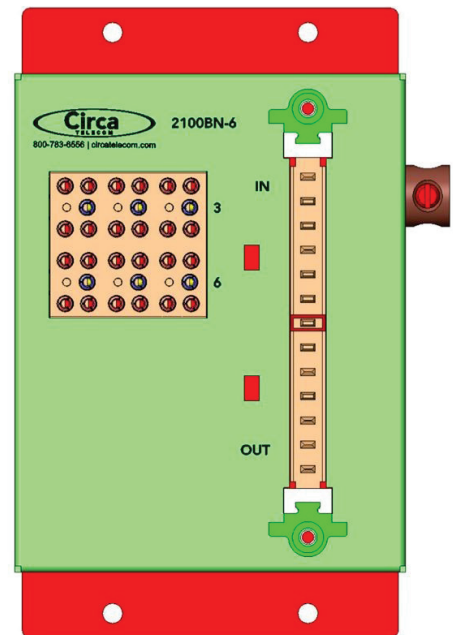
## UL497 Primary Protector for Communication Circuits

NAFTA Country of Origin: CANADA - All Models are "Buy America Act" Approved.

These 16 AWG steel building entrance terminals feature the BIX style connector and external ground connectors that accept 6 to 14 AWG ground wire. The BIX connector can terminate 22-26 AWG wire and accepts the QTBI22A test shoe. This line is designed to exceed the requirements set forth in Underwriters Laboratories' UL497 (UL, cUL) and the Canadian Standards Association (CSA). The units have an internal fuse link and use industry standard 5-pin protection modules which are sold separately.

## Features & Benefits

- 16 AWG Powder Coated Steel Construction
- Equipped with an Internal 26 AWG Fuse Link
- External Ground Connectors Accept 6 - 14 AWG Wire
- Industry Standard 5 Pin Design
- Exceeds UL497 Primary Protection Standards
- BIX Connector Accepts 22 - 26 AWG Wire



2100BN-6

### Ordering Information

Model Number	Stock Code	Pair Count	Input	Output	Dimensions (H" x W" x D")	Weight (lbs)
2100BN-6	201006	6	BIX	BIX	6.45 x 5.00 x 1.50	2



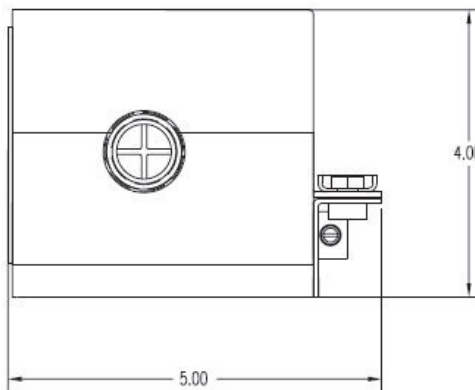
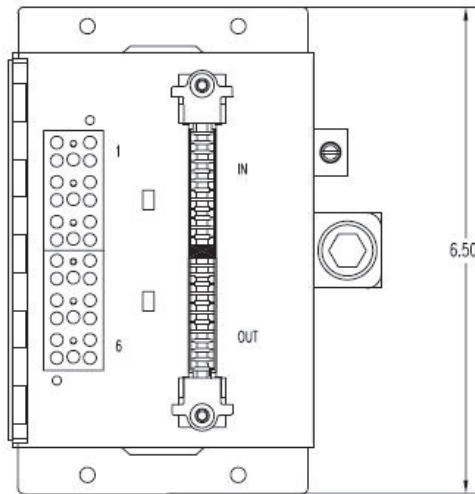
### 2100BN-6

6 PAIR - INDOOR BET - BIX/BIX - NO COVER

### Physical Dimensions

### UL497 Primary Protector for Communication Circuits

6.45 x 5.00 x 1.50  
(H" x W" x D")



### Notes

#### Installation:

Indoor Wall Mount

Shown with cover

Previous Model Number : 2406BN/C-6