

#### 4.0 **Installation Data:**

The Terminal should be installed to the network's standard installation procedure. However, the following factors should be considered.

- 4.1 Use care when unpacking the Terminal from its shipping carton to avoid damage to the Terminal, modules, or connectors.
- 4.2 Install the Terminal as close to the incoming entrance cable as possible.
- 4.3 The Terminal can be mounted on any level, uniform vertical surface. Install the Terminal where it will be accessible to technicians at all times without the terminal obstructing individuals or equipment.  
**Note:** Although the Terminal is designed to withstand extreme conditions, it is always best to avoid any unnecessary problems by observing the following important notes: When installing the Terminal, it is highly recommended that unit be placed in a non-combustible area. (The environment surrounding these devices should not contain flammable materials such as curtains, carpeting, etc.)  
If the installation for the telco equipment is not in an assigned electrical room, it is advised to avoid areas with dust, moisture, extreme environmental conditions, heavy traffic areas requiring rolling machinery, pipes used to transport water, fuel, and gases.
- 4.4 Avoid exposing the Terminal to chemicals or cleaning liquids, which could damage various plastic components within the device.

#### 5.0 **Installation Procedures:**

Mount the Terminal to a surface using the supplied mounting screws or approved network standards screws.

#### 5.1 **Outside Plant Termination (incoming):**

To terminate the entrance cable pairs to the incoming quick-clip block the procedure is as follows:  
**Refer to Figure 1** for quick-clip terminal arrangements. The entrance cable pairs should be routed through the fanning strip of the incoming (top) quick-clip block. The pairs should then be jumpered to the quick-clip terminals, using an industry standard 714-termination tool.

**Caution:** Do not use a screwdriver for attaching line pairs to quick-clip terminals, as a screwdriver may spread the clip beams and result in a faulty connection.

#### 5.2 **Distribution Termination (outgoing):**

To terminate the distribution cable pairs, the procedure is the same as indicated in 5.1 except the pairs are to be routed and jumpered onto the outgoing (bottom) quick-clip block.

#### 6.0 **Grounding:**

The Terminal has two locations to attach a ground wire (located on the right side of the Terminal). A #6 AWG wire should be connected from one of the Terminal ground lugs to a local ground as per network standard methods. It should be noted that incorrect bonding and grounding would result in terminal and protection module failure.

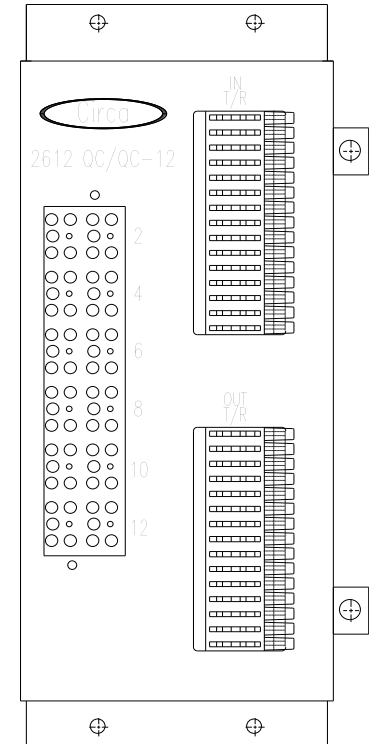
#### 7.0 **Terminal Module Installation:**

If the Terminal is purchased with the terminal modules installed they will be inserted in the terminal panel in the detent position. A distinctive "notch" in the three long pins of the module indicates the detent position. This will connect the incoming tip / ring as well as grounding circuits of the module.

**Note: When the module is in detent position it will protect only the incoming (outside plant) cable. The module must be fully inserted to provide protection to both the central office and distribution termination side of the installation.**

- 7.1 After all incoming and outgoing connections are completed; fully insert the terminal module until the base of the module meets the terminal block. This will connect the distribution termination (outgoing) side of the unit to the outside plant (incoming) side of the unit.
- 7.2 Fully test all connections.

#### 8.0 **Terminal Diagrams:**



**2612QC/QC-12**

#### **Important Note:**

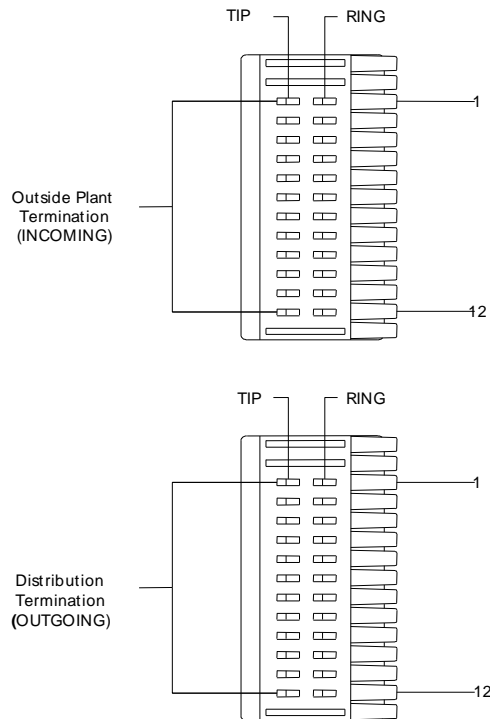
All statements, technical information and recommendations related to the Seller's products are based on information believed to be reliable, but the accuracy or completeness thereof is not guaranteed. Before utilizing the product, the user should determine the suitability of the product for its intended use. The user assumes all risks and liability whatsoever in connection with such use. Any statements or recommendations of the Seller, which are not contained in the Seller's current publications, shall have no force or effect unless contained in an agreement signed by an authorized officer of the Seller. The statements contained herein are made in lieu of all warranties, express or implied, including but not limited to the implied warranties of merchantability and fitness for a particular purpose which warranties are hereby expressly disclaimed.

Seller shall not be liable to the user or any person under any legal theory, including but not limited to negligence or strict liability, for any injury or any direct or consequential damages sustained or incurred by reason of the use of any of the Seller's product that were defective.

**Table 1**

CABLE PAIR GROUP	BINDER GROUP	CABLE PAIR SUB-GROUP	TIP WIRE COLOR	RING WIRE COLOR (FOR EACH TIP WIRE COLOR)
1-25	BLUE	1-5 6-10 11-15 16-20 21-25	WHITE RED BLACK YELLOW VIOLET	1 <sup>ST</sup> WIRE-BLUE 2 <sup>ND</sup> WIRE-ORANGE 3 <sup>RD</sup> WIRE-GREEN 4 <sup>TH</sup> WIRE-BROWN 5 <sup>TH</sup> WIRE-SLATE
26-50	ORANGE	26-30 31-35 36-40 41-45 46-50	WHITE RED BLACK YELLOW VIOLET	1 <sup>ST</sup> WIRE-BLUE 2 <sup>ND</sup> WIRE-ORANGE 3 <sup>RD</sup> WIRE-GREEN 4 <sup>TH</sup> WIRE-BROWN 5 <sup>TH</sup> WIRE-SLATE
51-75	GREEN	51-55 56-60 61-65 66-70 71-75	WHITE RED BLACK YELLOW VIOLET	1 <sup>ST</sup> WIRE-BLUE 2 <sup>ND</sup> WIRE-ORANGE 3 <sup>RD</sup> WIRE-GREEN 4 <sup>TH</sup> WIRE-BROWN 5 <sup>TH</sup> WIRE-SLATE
76-100	BROWN	76-80 81-85 86-90 91-95 96-100	WHITE RED BLACK YELLOW VIOLET	1 <sup>ST</sup> WIRE-BLUE 2 <sup>ND</sup> WIRE-ORANGE 3 <sup>RD</sup> WIRE-GREEN 4 <sup>TH</sup> WIRE-BROWN 5 <sup>TH</sup> WIRE-SLATE

**Figure 1**



Terminal shall be installed to the applicable requirements of the:  
 National Electrical Code, ANSI/NFPA 70(Article 800, Section C)  
 Canadian Electrical Code, Part 1 (Section 60)

# TM91-0044

REV.02

**CAUTION:** Risk of electric shock  
 Terminal is not be used without the arrester assembly installed.



**2600 SERIES  
 INSTALLATION  
 PROCEDURE  
 (FOR INDOOR USE ONLY)**

**Building Entrance  
 Terminal  
 2612QC/QC**

<u>CONTENTS:</u>	<u>PAGE</u>
<b>1.0 General</b>	<b>1</b>
<b>2.0 Terminal Module Specifications</b>	<b>1</b>
<b>3.0 Fuse Link Specifications</b>	<b>2</b>
<b>4.0 Installation Data</b>	<b>2</b>
<b>5.0 Installation Procedures</b>	<b>2-3</b>
<b>6.0 Grounding</b>	<b>3</b>
<b>7.0 Terminal Installation</b>	<b>3</b>
<b>8.0 Terminal Diagrams</b>	<b>4-5</b>

**1.0 General:**

The 2600 Series Building Entrance Terminals are double cross – connect field, indoor protection unit designed for terminating outside plant cables. The 2600 Series BET’s are equipped with quick-clip blocks for the incoming and outgoing terminations.

**1.1 Terminal Dimensions:**

<b>Model</b>	<b>Height</b>	<b>Width</b>	<b>Depth</b>
2612QC/QC	9.84in	4.5in	2.7in

**1.2 Cable Requirements:**

This BET is equipped with a 26-gauge fuse link; therefore it must only be spliced with 24 gauge or physically larger gauge C.O. feeder cable. This will ensure the highest operating conditions for the BET.

**2.0 Terminal Module Specifications:**

The Terminal will accept any five-pin module of Western Electric design.  
**To maintain UL Listing, only UL Listed Terminal modules are to be used.**

**3.0 Fuse Link Specifications:**

The Terminal unit is equipped with a built in fuse link. If an overcurrent condition were to occur, the chassis will act as a fuse chamber, greatly reducing any threat to safety. Once fuse links have been fused, they cannot be rehabilitated or repaired.